

USING YOUR RACK

A unique feature of your new Premium Stability Ball Tree is that you can move the storage rings anywhere around the axis. To rotate each ring apply gentle pressure below the arm of the ring and rotate it into position. Once in position place your stability balls onto the rings. Enjoy! ***CAUTION: ONLY STORE STABILITY BALLS ON THIS RACK AND NEVER LEAN ON THE RINGS FOR SUPPORT. THE RINGS ARE DESIGNED ONLY TO SUPPORT THE WEIGHT OF A STABILITY BALL. EXCESS LOADING CAN RESULT IN BENDING OR BREAKING OF THE RINGS.***

Power Systems thanks you for your purchase and invites you to contact us for more information regarding the Premium Stability Ball Tree - 12 Ball Model or other training products and programming, contact:

Power Systems, Inc.
1-800-321-6975
www.power-systems.com

Fig. 8 shown below refers back to instruction provided in Step 4.



Fig. 8

Step 5: Locate the set screw and cap. The set screw and provided Allen wrench should be sealed on a cardboard insert inside your original packaging. Remove the screw and wrench and place cap on top of post (B). Align the hole in the cap with hole in post (B). Insert the set screw and slowly tighten the screw using the Allen wrench until the head of the screw extends slightly past the cap as shown in Fig. 9. Do not overtighten the screw as it can drop into the post. If this should occur remove the rings and spacer and turn the frame over releasing the screw.



Fig. 9

Power Systems Inc.
1-800-321-6975
www.power-systems.com

Step 3: Place vertical post (B) on top of base (A) so that the pre drilled holes are in alignment. Secure pieces together using the screws and washers included. Be sure each screw is tightened securely before proceeding, Fig 5-6.

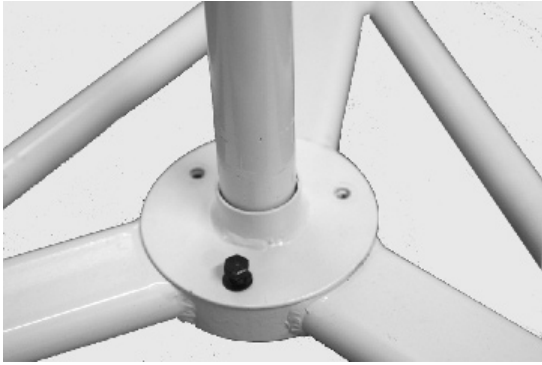


Fig. 5



Fig. 6

Step 4: Place four (4) storage rings (D) onto the post (B) and guide them all the way down until they stop. Next insert a spacer (C) onto the post followed by four (4) storage rings (D). Add the remaining spacer (C) and the remaining four (4) storage rings. Please refer to Fig. 7 below and Fig. 8 on the next page.

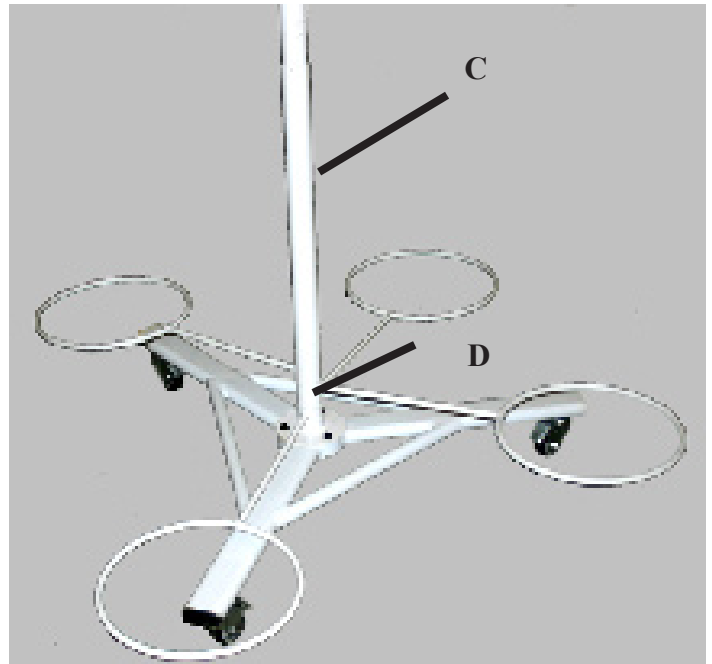
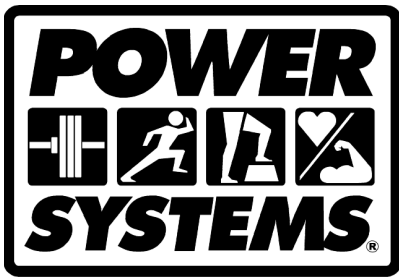


Fig. 7

Power Systems Inc.
1-800-321-6975
www.power-systems.com



The Power Behind Performance®

PREMIUM STABILITY BALL TREE - 12 BALL MODEL ASSEMBLY INSTRUCTIONS

TOOLS REQUIRED: Screwdriver, adjustable crescent wrench

TOOLS INCLUDED: Allen wrench

Lay out components in an open area and verify all parts are present (see Fig.1). If you are missing any items, please contact our customer service department.

Parts Included / Quantity

Base (A) - 1 pc

Vertical Support Post (B) - 1 pc

Spacers (C) - 2 pcs

Ball Storage Rings (D) - 12 pcs

Cap w/ Set Screw (E) - 1 pc

Locking Casters (F) - 3 pcs

Hex bolts / washers (G) (not pictured)- 3 sets

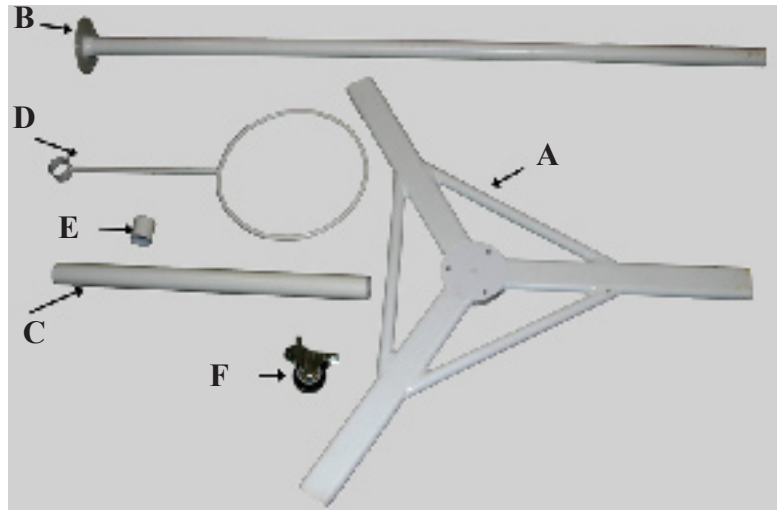


Fig. 1

ASSEMBLY (refer to figures below for proper orientation of components and to confirm final assembly)
It is recommended that two people work together to assemble this product.

Step 1: Insert casters (F) into base (A). You may want to use an adjustable wrench or flat head screwdriver for assistance. Continue to insert casters until tight.

Step 2: Position the base (A) on the floor and lock each caster (F) by depressing the locking mechanism on each.

CAUTION: Be certain each caster is secure before proceeding with Step 3. Figs. 2-4.



Fig.2



Fig. 3 (unlocked)



Fig. 4 (locked)

Power Systems Inc.
1-800-321-6975
www.power-systems.com